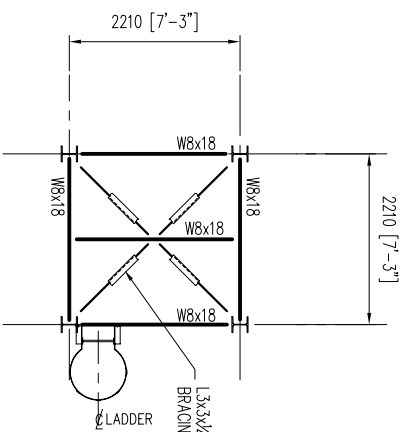
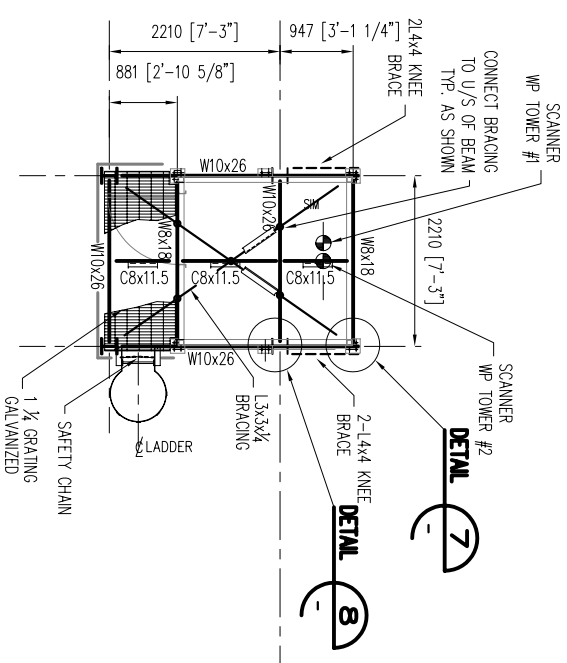


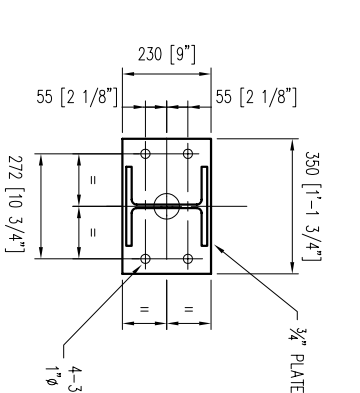
**PLAN**  
BASE PLATE LAYOUT (TOWER 1 AND 2)  
(2 PLACES) SEE DRAWING 462-03-010-001  
FOR LOCATION



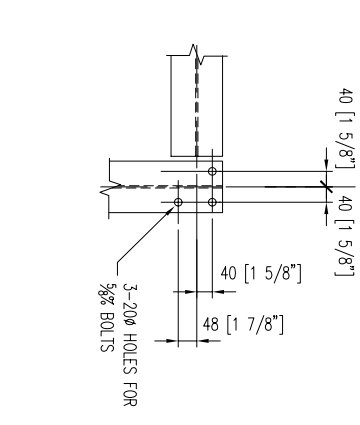
**PLAN**  
HORIZ. BRACING  
(TYP. 2 PLACES)



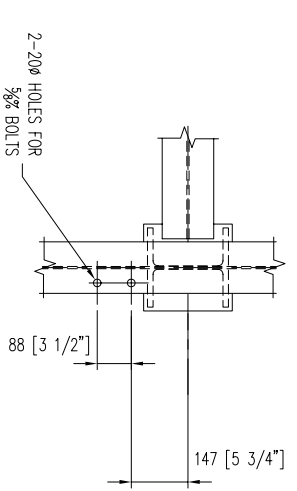
**PLAN**  
T.O.S. EL. 127'-10 3/4" [38.983m]



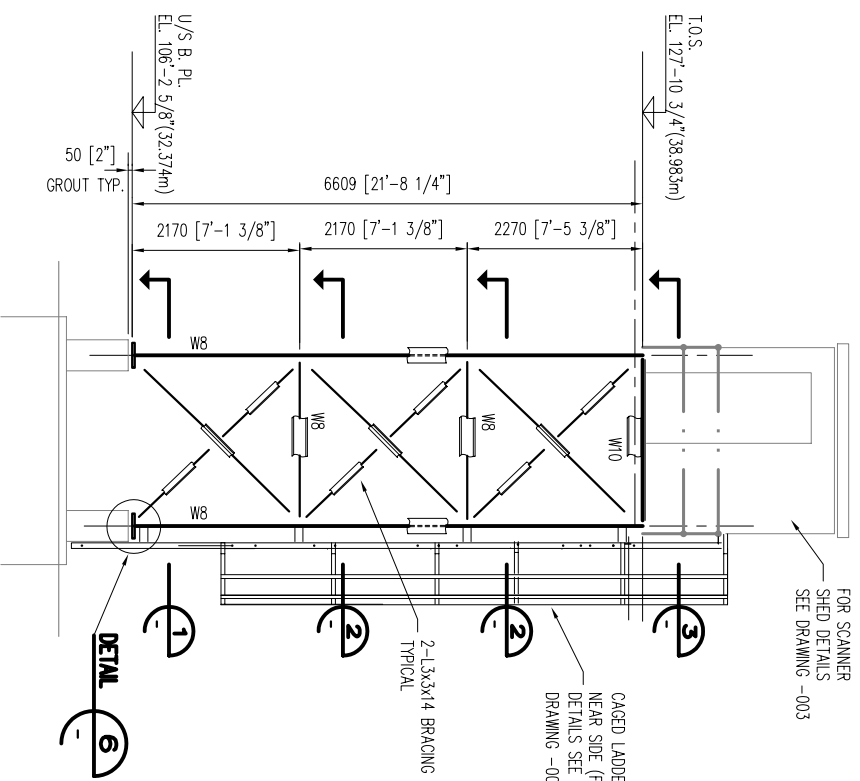
**DETAIL**  
BASE PLATE  
(4 PLACES)  
SCALE 1:10



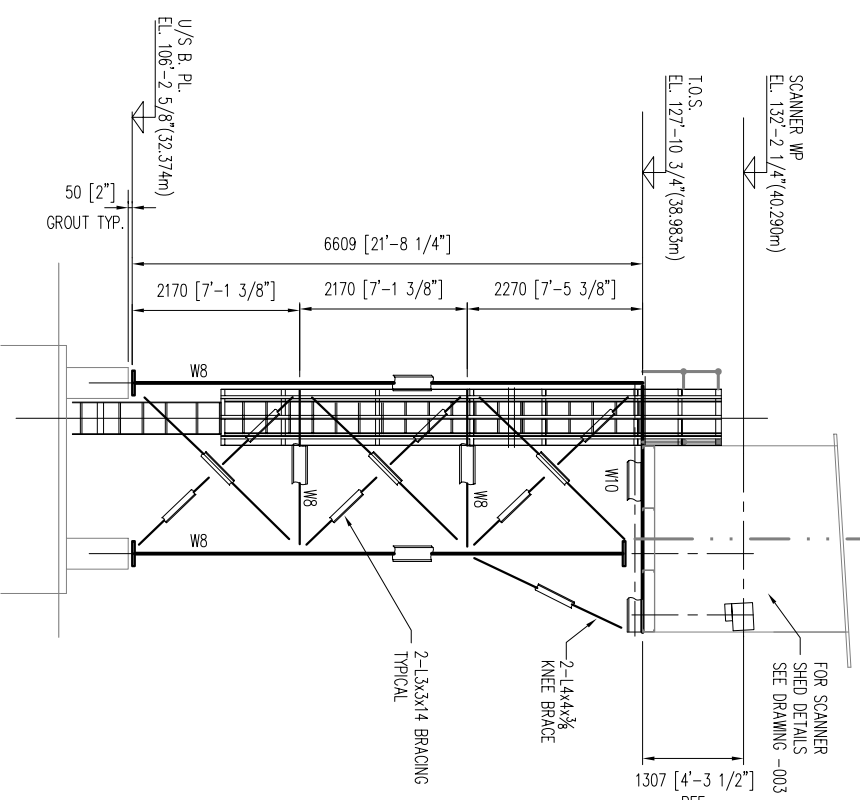
**DETAIL**  
HOLE LAYOUT  
(4 PLACES)  
SCALE 1:10



**DETAIL**  
HOLE LAYOUT  
(2 PLACES)  
SCALE 1:10



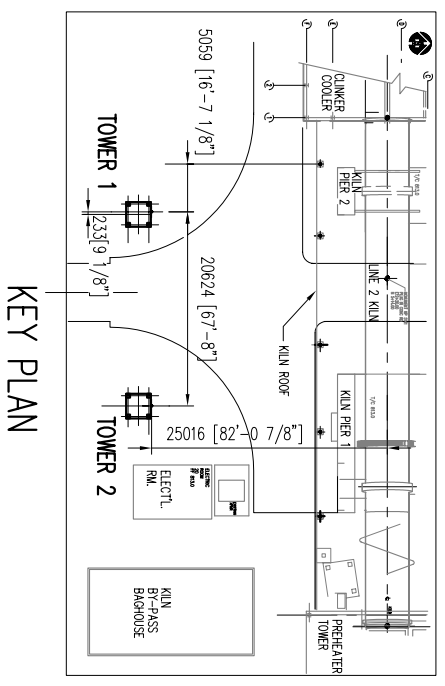
**SECTION**  
4



**SECTION**  
5

**RELEASED FOR CONSTRUCTION**  
SUPERSEDES ALL PREVIOUS COPIES  
DATE: 10/29/04  
BY: IK  
CON ENGINEERS INC.

NOTES:  
1. FOR GENERAL NOTES SEE DRAWING 462-04-010-002.



**KEY PLAN**

81 THORNBUROOK CRT. THORNHILL, ONT. L4J 7X4 TEL. (905) 888-1153 FAX. (905) 888-1158 CON PROJECT No. 2500412		Plant Engineering <b>STRUCUTRAL STEEL TOWERS 1 AND 2</b> PLANS AND ELEVATIONS DRAWING NUMBER: 462-04-010-001 SHEET NUMBER: 3	
DRAWN: WP CHECKED: JK APPROVED: MK SCALE: 1:50 UNO	DATE: 10-29-2004 REV: 0 PROJECT #	PROJECT NUMBER: 462-04-010-001 DRAWING NUMBER: 462-04-010-001 SHEET NUMBER: 3	DATE: 10-29-2004 REV: 0 PROJECT #