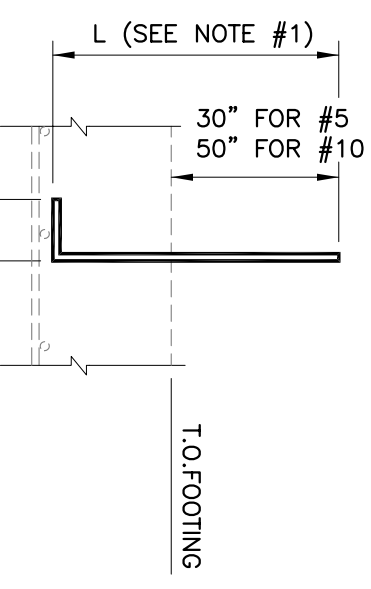
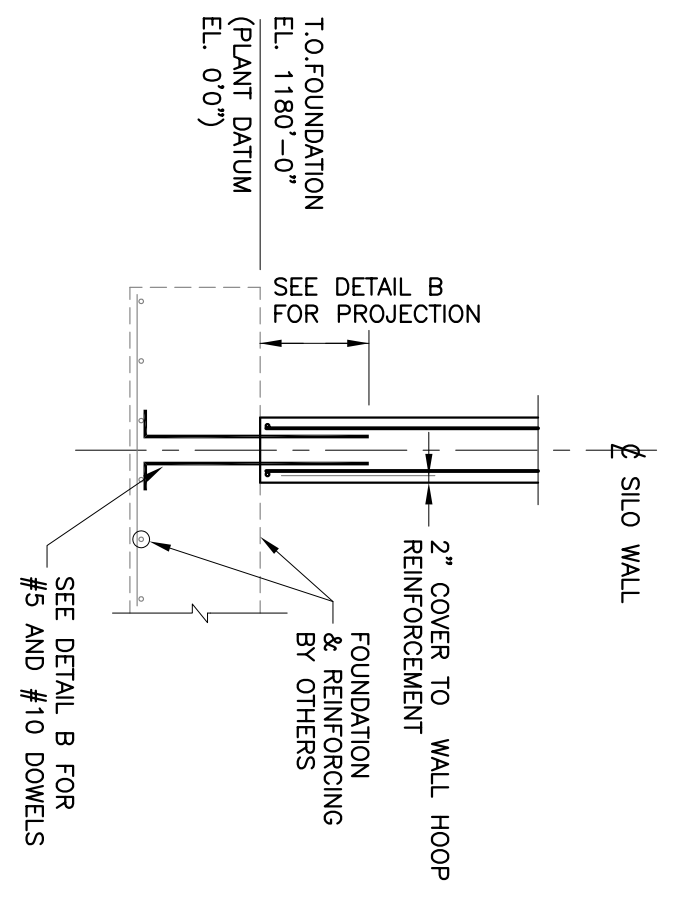


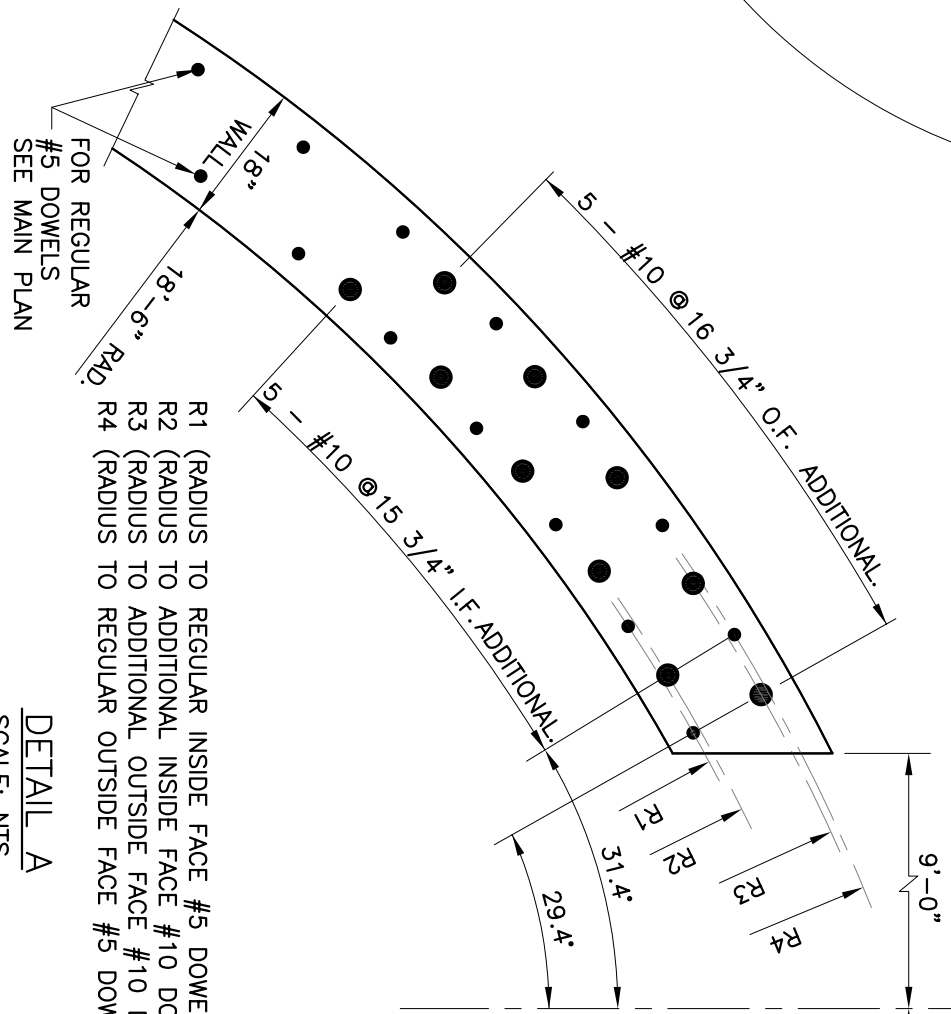
**SILO WALL DOWEL ARRANGEMENT PLAN**  
 SCALE: 1/4" = 1'-0"  
 SEE DETAIL A FOR ADDITIONAL DOWELS AT MAIN OPENINGS



**DETAIL B**  
 SCALE: NTS



**TYPICAL SECTION THROUGH DOWELS**  
 SCALE: NTS



**DETAIL A**  
 SCALE: NTS

- R1 (RADIUS TO REGULAR INSIDE FACE #5 DOWELS) = 18'-9 1/2"
- R2 (RADIUS TO ADDITIONAL INSIDE FACE #10 DOWELS) = 18'-10 1/2"
- R3 (RADIUS TO ADDITIONAL OUTSIDE FACE #10 DOWELS) = 19'-7 1/2"
- R4 (RADIUS TO REGULAR OUTSIDE FACE #5 DOWELS) = 19'-8 1/2"

This drawing is the property of Commonwealth Dynamics, Inc. and is loaned subject to the condition that it is not to be copied or disposed of, or used to aid in making drawings, apparatus or parts thereof except when authorized by specific contract.

**NOTES FOR DOWEL ARRANGEMENT**

1. LENGTH OF DOWELS TO BE DETERMINED UPON FINAL DESIGN OF FOUNDATION
2. SEE DETAIL A FOR PLACEMENT OF DOWELS
3. PROJECTION LENGTH OF DOWELS IS BASED ON CONCRETE FOUNDATION STRENGTH  $F_c' = 4000$  psi
4. DEFORMED REINFORCING BARS SHALL CONFORM TO ASTM STANDARD A615 WITH A MINIMUM YIELD STRENGTH OF 60 Ksi
5. REFERENCE DRAWINGS:  
 295-B33A-1  
 295-B33A-2

APPROVED	REV	DATE	DESCRIPTION
IK	0	3/20/04	RELEASE FOR CONSTRUCTION

81 THORNHILL CRT. THORNHILL, ONT. L4J 7X4 TEL (905) 689-1153 FAX (905) 689-1158		COMMONWEALTH DYNAMICS, INC. PORTSMOUTH, N.H., USA.	

WISCONSIN PUBLIC SERVICE WESTON UNIT #4 ROTHSCCHILD, WISCONSIN 119'-0" REINFORCED CONCRETE BYPRODUCTS SILO FOUNDATION DOWEL ARRANGEMENT	DRAWING NUMBER <b>295-833A-4</b>
---	-------------------------------------