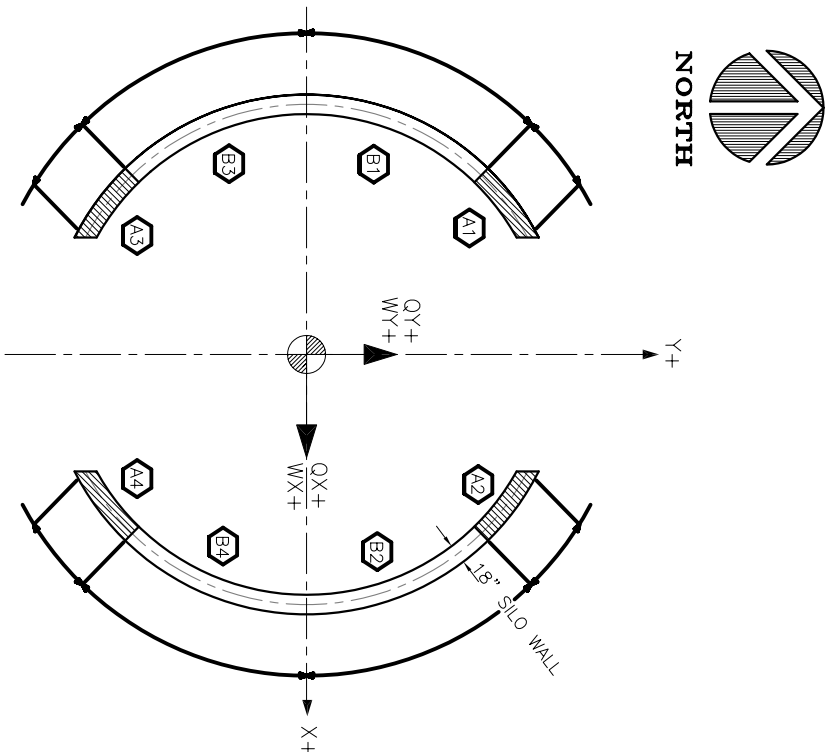


NOTES FOR FOUNDATION LOADING

1. FOUNDATION LOADS ARE BASED ON PROJECT SPECIFICATION NO. 133116.71.0411 AND TECHNICAL SUPPLEMENTAL SPECIFICATION NO. 01400
2. BASIC WIND SPEED = 90MPH WITH EXPOSURE C (3 SECOND GUST SPEED WITH 50 YEAR MEAN RECURRENCE)
3. MAPPED SPECTRAL RESPONSE ACCELERATION AT 1 SECOND (S_1) = 0.03g
MAPPED SHORT PERIOD SPECTRAL RESPONSE (S_S) = 0.057g
4. STORED MATERIAL SPECIFIC GRAVITY = 100 PCF
5. INTERNATIONAL BUILDING CODE (IBC) 2000
5. REFERENCE DRAWING 295-833A-1



VERTICAL LOADS ON FOUNDATIONS IN KIPS/FT (UNFACTORED) FROM WIND AND SEISMIC

WALL SEGMENT	ARC LENGTH (FT)	GRAVITY		WIND		SEISMIC (Q) SILO FULL		SEISMIC (Q) SILO EMPTY						
		DL	LL	WX+	WX-	QX+	QX-	QY+	QY-					
A1	6	66.3	173	-6	+6	-15	-24	+24	+56	-6	+6	+14	-14	
A2	6	66.3	173	+6	-6	+15	-15	+24	-24	+56	+6	+6	+14	-14
A3	6	66.3	173	-6	+6	-15	+15	-24	+24	-56	+6	+6	-14	+14
A4	6	66.3	173	+6	-6	+15	-15	+24	-24	+56	+6	+6	-14	+14
B1	14.86	29.1	67.6	-6	+6	+3	-3	-24	+24	+13	-6	+6	+4	-4
B2	14.86	29.1	67.6	+6	-6	-3	+3	+24	-24	-13	+6	+6	-4	-4
B3	14.86	29.1	67.6	-6	+6	-3	+3	-24	+24	-13	+6	+6	-4	-4
B4	14.86	29.1	67.6	+6	-6	+3	-3	+24	-24	+13	+6	+6	-4	-4
SUM		3364	8314	+6	-6	-3	+3	+24	-24	-13	+6	+6	-4	+4

NOTE: (-) INDICATED UPWARD LOADS

PLAN AT TOP OF FOUNDATION
(ARC LENGTH MEASURED FROM CENTERLINE OF SILO WALL)

<p>COMMONWEALTH ENGINEERS INC. 81 THORNBRIDGE CRT. THORNHILL, ONT. L4J 7X4 TEL (905) 889-1153 FAX (905) 889-1158</p>	<p>FOUNDATION LOADING</p>
<p>WISCONSIN PUBLIC SERVICE WESTON UNIT #4 ROTHSCHILD, WISCONSIN</p>	<p>FOUNDATION LOADING</p>
<p>119'-0" REINFORCED CONCRETE BYPRODUCTS SILO</p>	<p>DATE: 3/28/04 DRAWN BY: JK CHECKED BY: NIS</p>
<p>SCALE: NTS</p>	<p>REV. 0</p>
<p>DRAWING NUMBER: 295-833A-2</p>	<p>DESCRIPTION: FOUNDATION LOADING</p>

This drawing is the property of Commonwealth Dynamics, Inc. and is loaned subject to the condition that it is not to be copied or disposed of, or used to aid in making drawings, apparatus or parts thereof except when authorized by specific contract.